

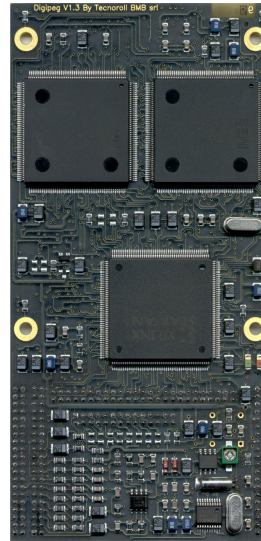


Tecnoroll BMB s.r.l.

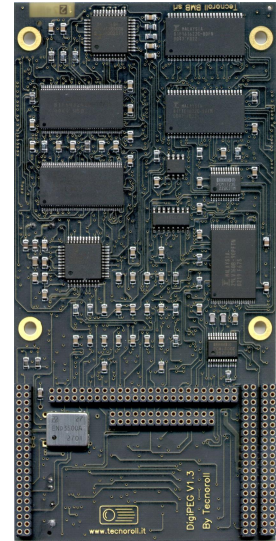
Via Olona, 9 - 21040 Veduggio Olona (VA)
 ☎ +39.0332.402595 - Fax +39.0332.402596
 website: www.tecnoroll.it email: info@tecnoroll.it



Full Duplex Audio-Video MPEG-2 Encoder/Decoder System



Front



Back

MPEG Encoder Specifications

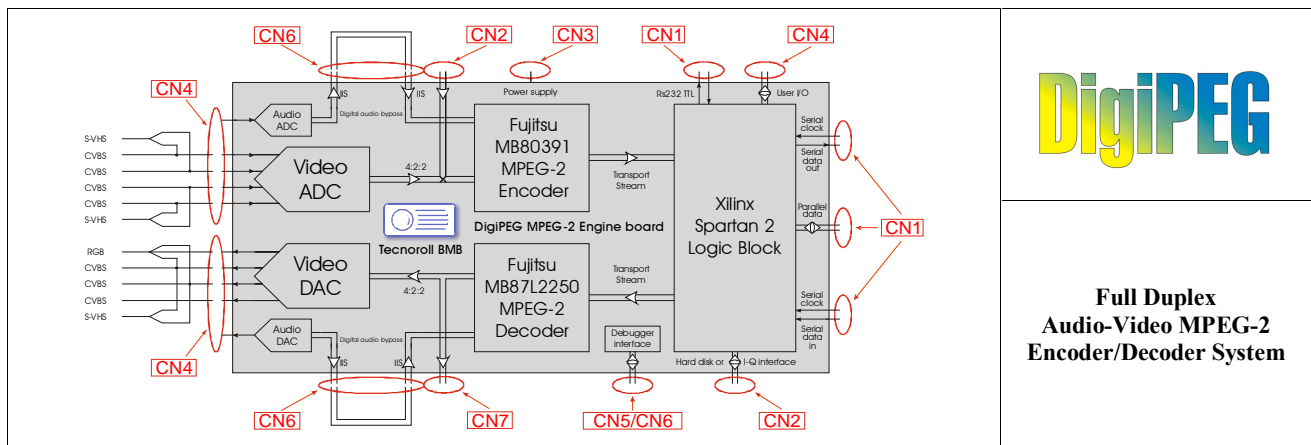
Video Encoding:	<ul style="list-style-type: none"> - Compliant to ISO/IEC 13818-2 (MPEG-2 video) MP@ML and ISO/IEC 11172-2 (MPEG-1 video) - Up to 15Mbps System Bitrate - Up to 720x576 Video Resolution - Embedded 9-bit Video Input Processor (SAA7113), 4:2:2 Output Format, 4:2:0 MPEG Encoding - Support for External Enhanced Video AD Converters - Support for SDI Digital Video Input - Support for low delay RTX down to 180 mSec. - Support for EIT Insertion (Event Information Table)
Audio Encoding:	<ul style="list-style-type: none"> - ISO/IEC11172-3 (MPEG-1 audio) Layer 1/2-compliant - Single / Dual / Joint Stereo / Stereo - Sampling Rates: 32 KHz / 44.1 KHz / 48 KHz - Up to 448 Kbit Audio Bitrate - Embedded 16-bit ADC (PCM1800E) with Line Level Input - I2S Interface for External ADC or AES/EBU Digital Input Interface

MPEG Decoder Specifications

Video Decoding:	<ul style="list-style-type: none"> - Decoding of MPEG-2 Video MP@ML ISO/IEC 13818-2, MP@LL, SP@ML - Error Concealment using Syntax Checker and Concealment Vectors - MPEG-1 Bitstream ISO-11172-2 decoder DVB compliant - 4:2:0 → 4:2:2 Conversion (Chrominance up-sampling) for Video Processor DAC - Digital Insertion for Teletext into the VBI - Embedded 9-bit Digital Video Encoder (SAA7129) - Support for External Video DAC - Support for SDI Digital Video Output - Support for low delay RTX down to 180 mSec.
Audio Decoding:	<ul style="list-style-type: none"> - ISO/IEC 11172-3 (MPEG-1 Audio) - ISO/IEC 13818-3 (MPEG-2 Audio in two-channel mode) - Layer 1 & Layer 2 decoding - Single / Dual / Joint Stereo / Stereo - Sampling Rates: 32 KHz / 44.1 KHz / 48 KHz / 16 KHz / 22.05 KHz / 24 KHz - Oversampling Clock: 384 fs / 256 fs - Embedded 16-bit DAC (PCM1723) with Line Level Output - I2S Interface for External DAC or AES/EBU Digital Output Interface

Transport Stream Specifications

Supported I/O:	<ul style="list-style-type: none"> - Parallel TS Output - Parallel TS Input - ASI Output logic - ASI Input logic - Serial Synchronous Output - Serial Synchronous Input
-----------------------	---



DigiPEG

**Full Duplex
Audio-Video MPEG-2
Encoder/Decoder System**

System Specifications

System Processor:	- ARC 32-bit RISC CPU at 54MHz, 4-stage Pipeline, 1 Kbyte I-Cache
Memory:	- 2 Mbyte SDRAM + 2 Mbyte FLASH
Serial TS Input:	- Synchronous Serial Transport Stream (Clock + Data) up to 60 Mbit/s
Serial TS Output:	- Synchronous Serial Transport Stream (Clock + Data) up to 60 Mbit/s
Parallel TS I/O:	- 8-bit Standard Input or Output Transport Stream for external Modulator/Demodulator - TS can be Clock/Master or Clock/Slave (software selectable)
User I/O Port:	- 8-bit General Purpose Selectable I/O Signals (accessible through user serial port)
I2C Bus:	- I2C Interface (accessible through user serial port)
Service Channel:	- User Asynchronous Serial Interface (1200-115.200 bps) added on Transport Stream as an Embedded Service Channel
User Serial Port:	- Asynchronous Serial Interface 9600 bps for System Configuration and Management This Port allows to control all System Parameters: System Bitrate, Video Resolution, Access to I/O Ports, etc... - Smart Serial Protocol for easy System Management using a Terminal Software or an external Embedded Processor
Firmware Update:	- In-field updatable Firmware through Debugger Serial Port or User serial Port for easy in-system Maintenance - Software and Firmware Updates available on our Website
User File System:	- Virtual Hard Disk for Storage of User Logos, Splash Screen and Data Configuration
Synchronisation:	- Dedicated System Synchronization Hardware for Clock Recovery (PCR handling)
Multiplexing:	- Easily cascadable Boards for Multi-channel Transport Stream: each Board accepts a Synchronous Serial TS-IN and provides one Synchronous Serial TS-OUT with its added Channel
Channel List Generation:	- Automatic Channel List Generation and Insertion into the TS

General Specifications

Power Supply:	1.8V 2.5V 3.3V 5.0V
Power Consumption:	5 W
Board Temperature Range:	from 0 to 70° C
Storage Temperature Range:	from -20 to +85° C
Cooling Heat Sink:	Required on PQFP Integrated Circuits
Dimensions:	142 x 70 x 10 mm
Weight:	80 gr

Distributed in Italy by:



MELCHIONI S.p.A.
Via Colletta 37 - 20135 MILANO
Tel. +39-02-57941
Fax +39-02-54134001